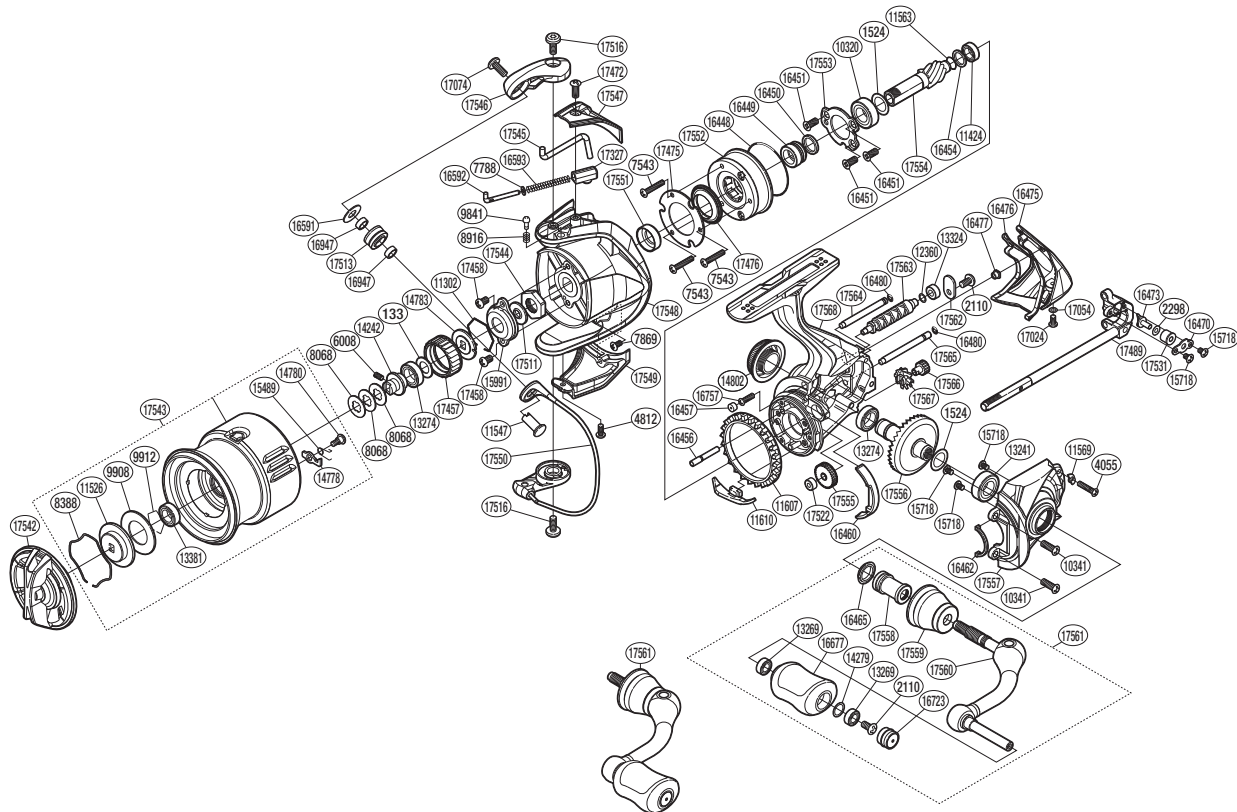


SHIMANO

TWIN POWER SA-RB

TP-2500S



Please note that the number of adjusting washers may not be the same as shown in the exploded views. (Adjustment will vary with each individual product.)

(5SE53E025)

Part No.	Description	Part No.	Description	Part No.	Description
RD 0133	Anti-Reverse Pawl Spacer	RD14783	Spool Support	RD17476	Roller Clutch Water Proof
RD 1524	Washer	RD14802	Handle Screw Cap	RD17489	Main Shaft Assembly
RD 2110	Screw	RD15489	Drag Click Spring	RD17511	Bearing Water Proof
RD 2298	Spacer	RD15718	Screw	RD17513	Line Roller(With Bearing)
RD 4055	Screw	RD15991	Rotor Nut Lock Plate	RD17516	Screw
RD 4812	Screw	RD16448	O Ring	RD17522	Worm Bushing (Front)
RD 6008	Set Screw	RD16449	Roller Clutch Inner	RD17531	Oscillating Slider Bushing
RD 7543	Screw	RD16450	Roller Clutch Inner Spacer	RD17542	Drag Knob
RD 7788	Spring Guide A Support	RD16451	Screw	RD17543	Spool Assembly
RD 7869	Screw	RD16454	Pinion Gear Spacer	RD17544	Rotor Nut
RD 8068	Spool Washer	RD16456	Idle Gear B Shaft	RD17545	Bail Trip Lever
RD 8388	Drag Washers Retainer	RD16457	Body Flange Seal	RD17546	Bail Arm
RD 8916	Click Spring	RD16460	Friction Ring Spacer	RD17547	Bail Spring Cover
RD 9841	Click Pin	RD16462	Flange Water Proof	RD17548	Rotor
RD 9908	Drag Washer	RD16465	Handle Shaft Seal	RD17549	Bail Hold Support Guard
RD 9912	Bearing Retainer	RD16470	Oscillating Pawl Cover	RD17550	Bail Assembly
RD10320	Ball Bearing	RD16473	Oscillating Pawl	RD17551	Rotor Ring
RD10341	Screw	RD16475	Rear Protector	RD17552	Roller Clutch Assembly
RD11302	Ratchet Spring	RD16476	Rear Shield	RD17553	Bearing Retainer
RD11424	Ball Bearing	RD16477	Rear Protector Collar	RD17554	Pinion Gear
RD11526	Key Washer	RD16480	O Ring	RD17555	Idle Gear
RD11547	Line Roller Support	RD16591	Line Roller Plate	RD17556	Drive Gear
RD11563	Worm Shaft Ring	RD16592	Bail Spring Guide A	RD17557	Side Cover
RD11569	Screw Washer	RD16593	Bail Spring	RD17558	Handle Shaft Cover B
RD11607	Friction Ring	RD16677	Handle Knob	RD17559	Handle Shaft Cover
RD11610	Bail Trip Strike	RD16723	Handle Knob Seal	RD17560	Handle Shank Assembly
RD12360	Washer	RD16757	Screw	RD17561	Handle Assembly
RD13241	Ball Bearing	RD16947	Bearing Spacer	RD17562	Worm Shaft Retainer
RD13269	Ball Bearing	RD17024	Screw	RD17563	Worm Shaft
RD13274	Ball Bearing	RD17054	Washer	RD17564	Oscillating Guide A
RD13324	Worm Bushing	RD17074	Screw	RD17565	Oscillating Guide B
RD13381	Ball Bearing	RD17327	Bail Spring Seat	RD17566	Idle Gear B S
RD14242	Bearing Bushing	RD17457	Drag Click Ratchet	RD17567	Idle Gear B L
RD14279	Washer	RD17458	Screw	RD17568	Body
RD14778	Drag Click	RD17472	Screw		
RD14780	Screw	RD17475	Roller Clutch Reinforce		